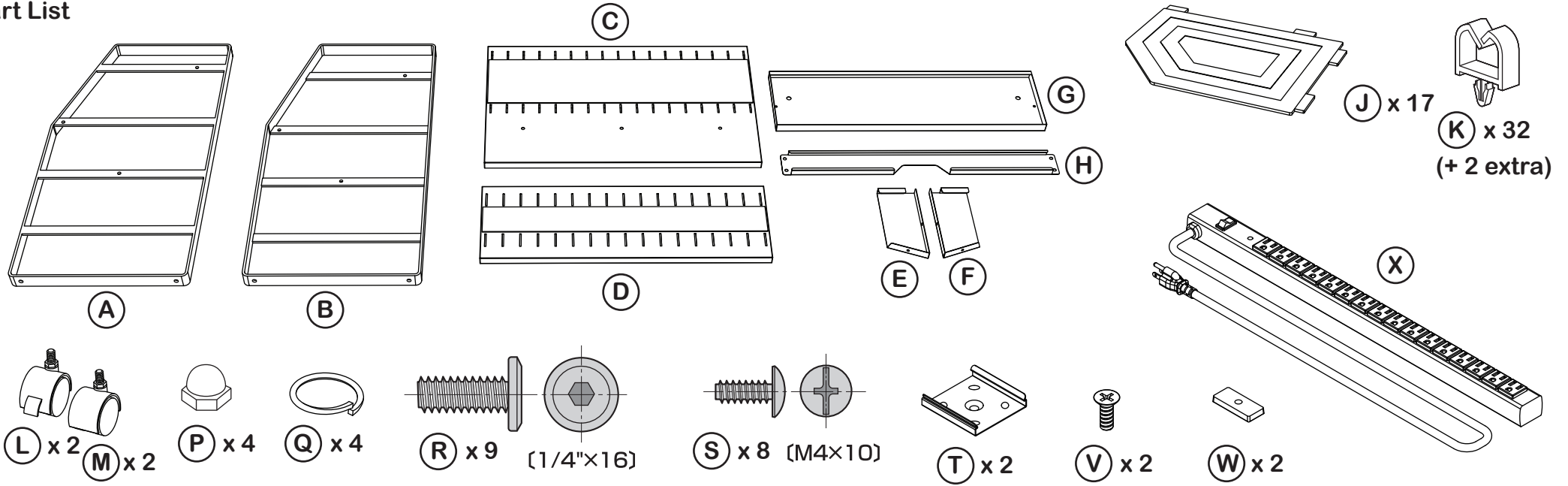


Part List



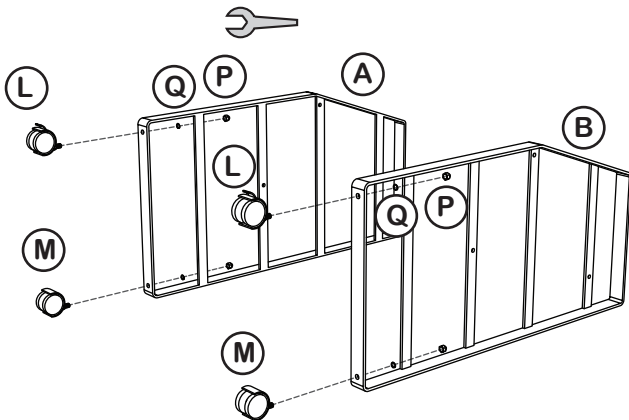
Tools Included:



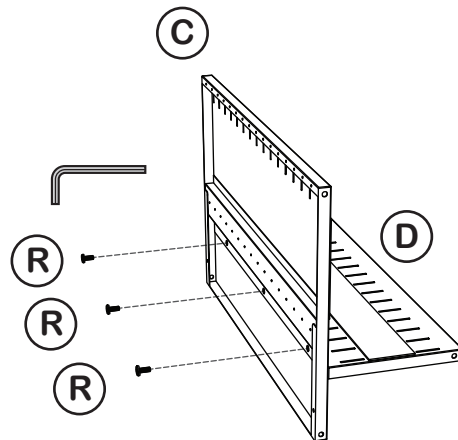
Tools Needed:



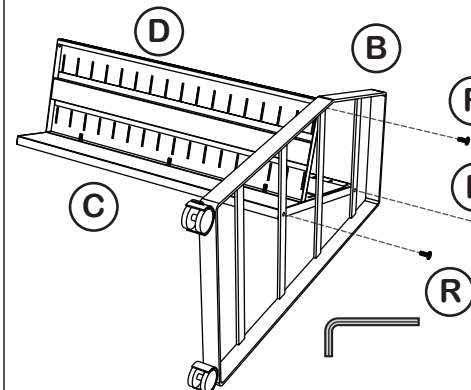
Step 1: Attach the casters (L & M) to the side frames (A & B) with the lock washer (Q) and acorn nut (P), using the included wrench.



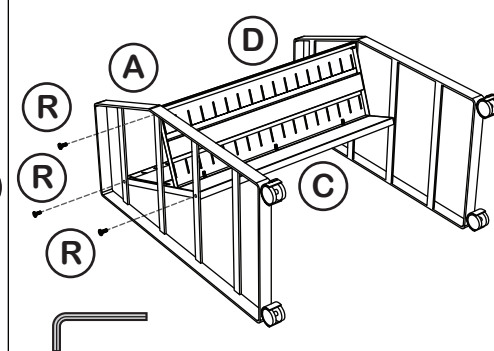
Step 2: Combine the back panel (C) to the bottom panel (D) with 3 screws (R), using the included hex wrench.



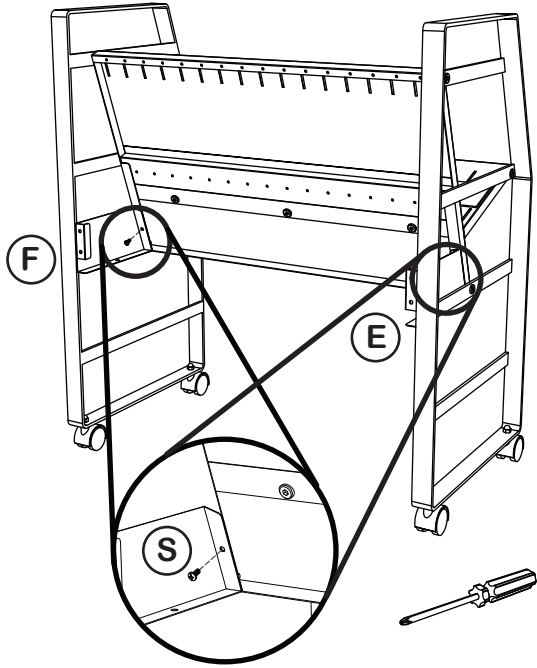
Step 3: Attach side (B) to panels (C & D) with 3 screws (R), using the included hex wrench.



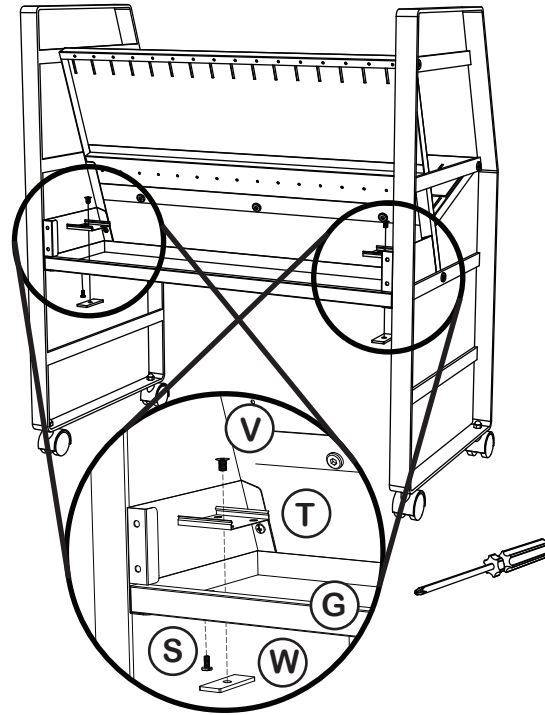
Step 4: Attach side (A) to panels (C & D) with 3 screws (R), using the included hex wrench.



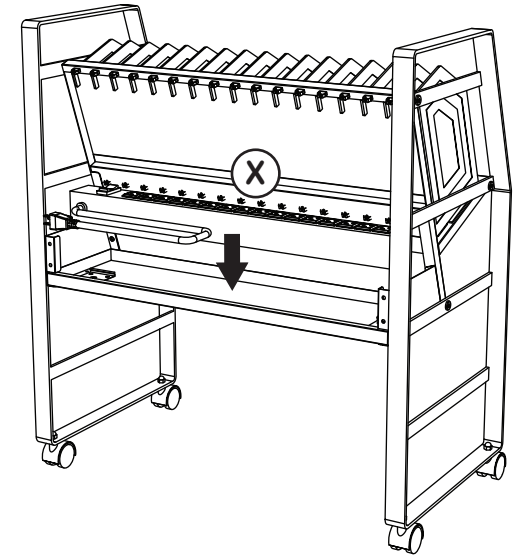
Step 5: Attach the power tray panels (E & F) to the main unit with 2 screws (S), using a screw driver.



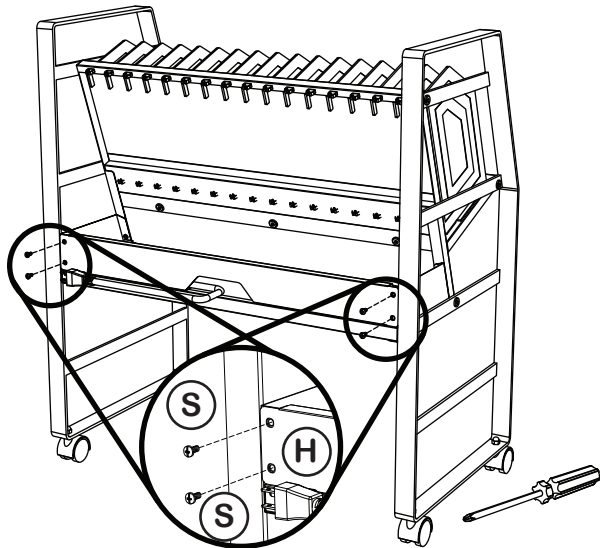
Step 6: Attach the bottom power tray panel (G) with 2 screws (S) from below, using a screw driver. Attach the 2 power strip brackets (T, V, & W) to the panel (G) with a screw driver.



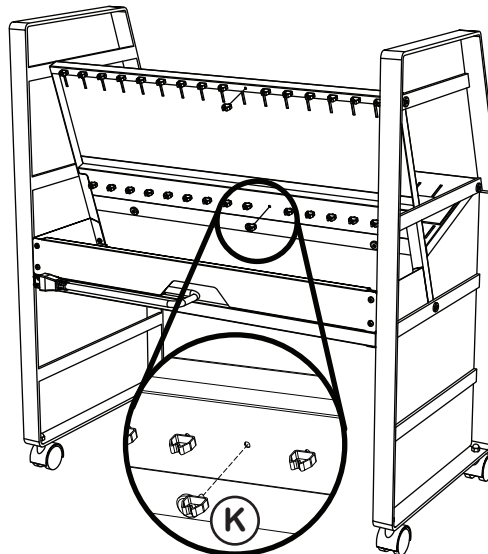
Step 7: Push the power strip (X) into the brackets.



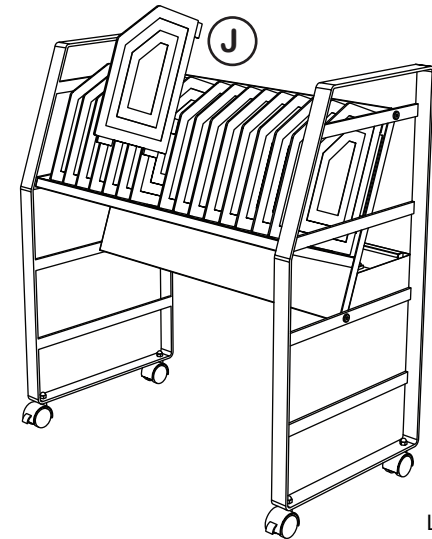
Step 8: Install the power tray back panel (H) with 4 screws (S), using a screw driver.



Step 8: Attach the 32 cable clips (K) to the main unit.

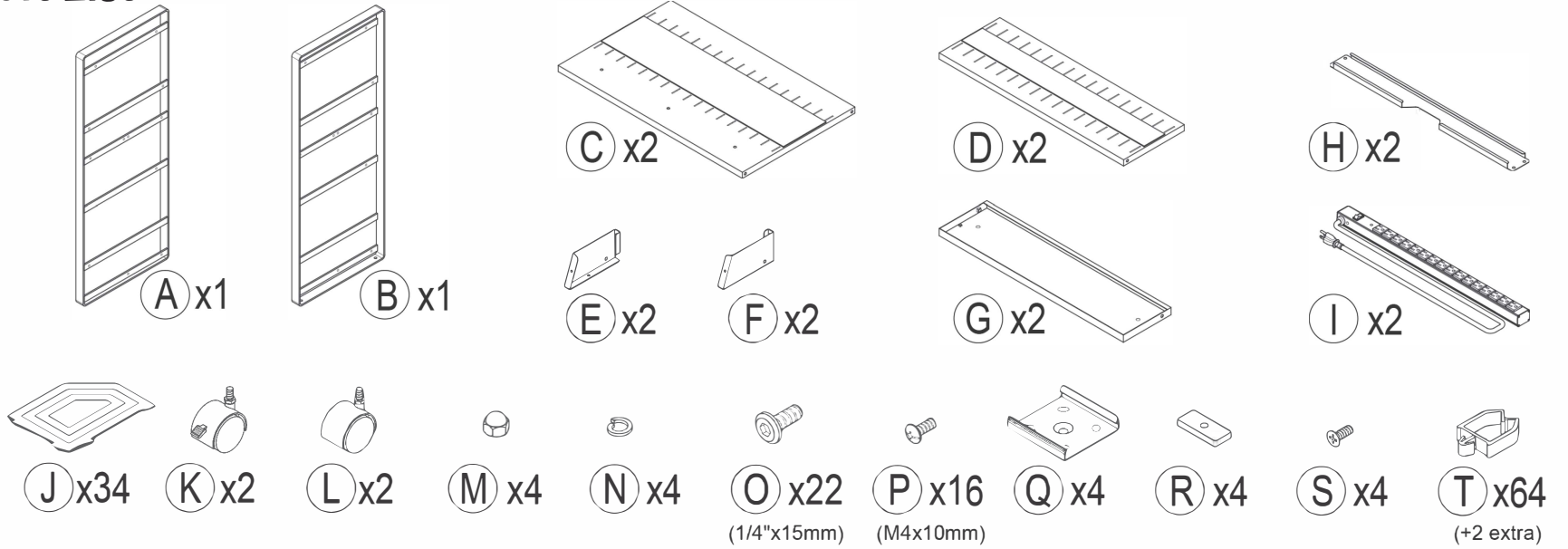


Step 9: Install the 17 plastic dividers (J) to the main unit. You have completed assembly.



LUXOR

Part List



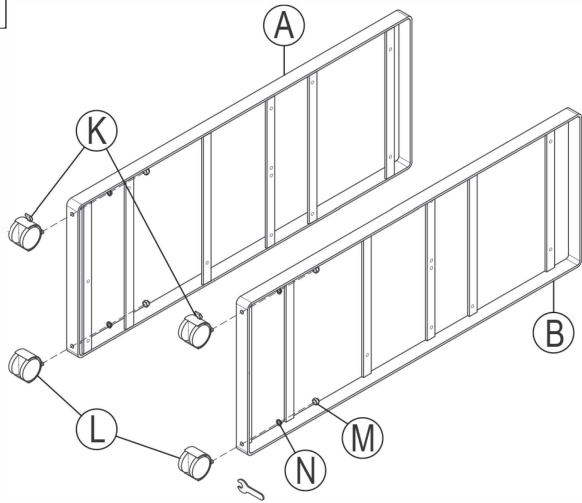
Tools Included:



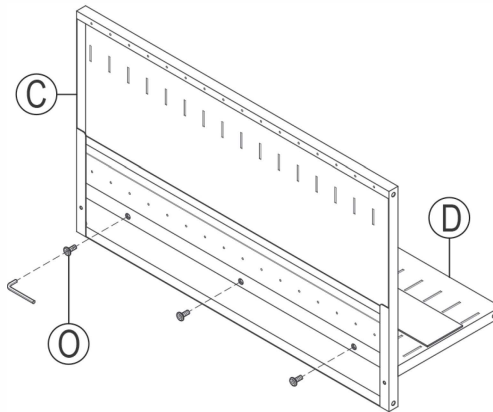
Tools Needed:



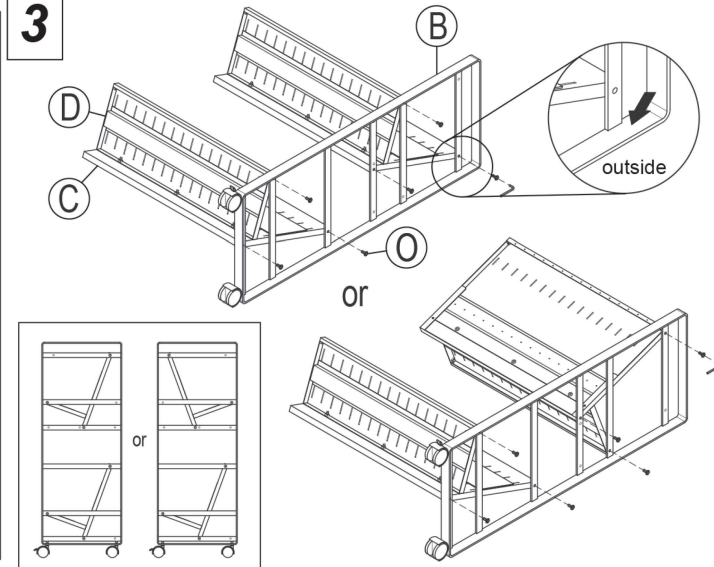
1



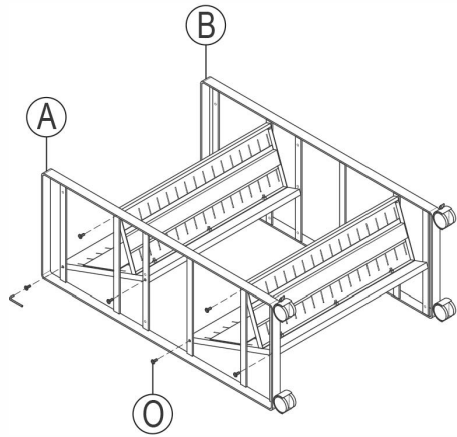
2



3

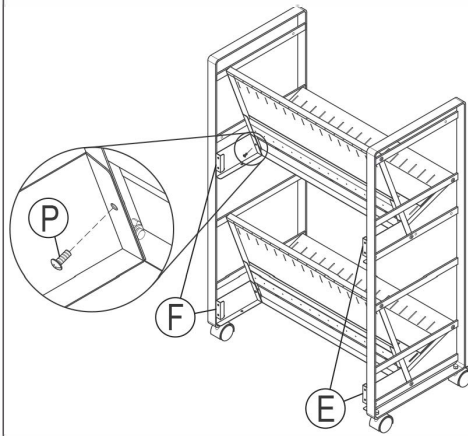


4

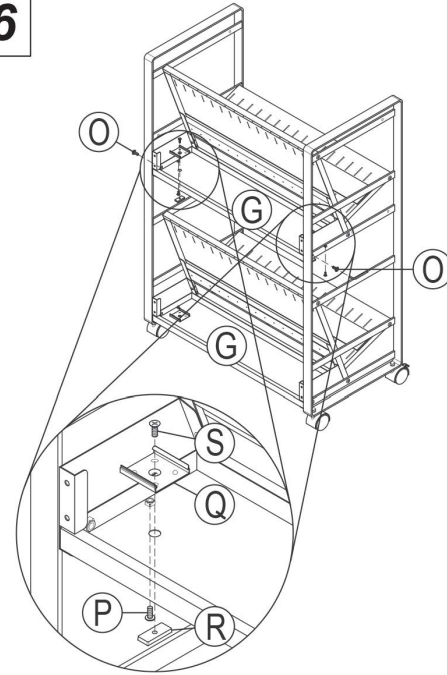


Note: Top shelf can be installed facing in either direction.

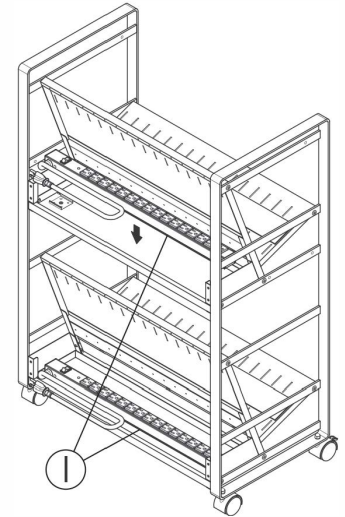
5



6

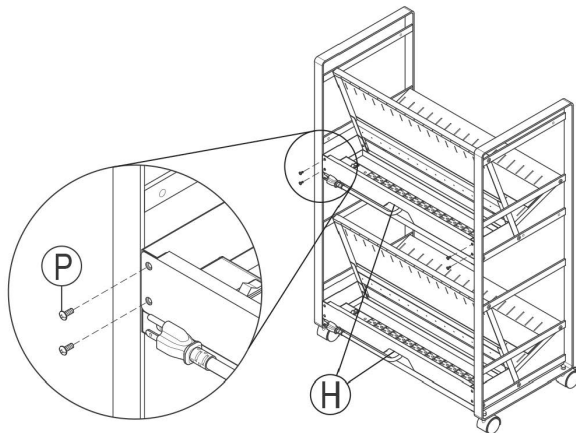


7

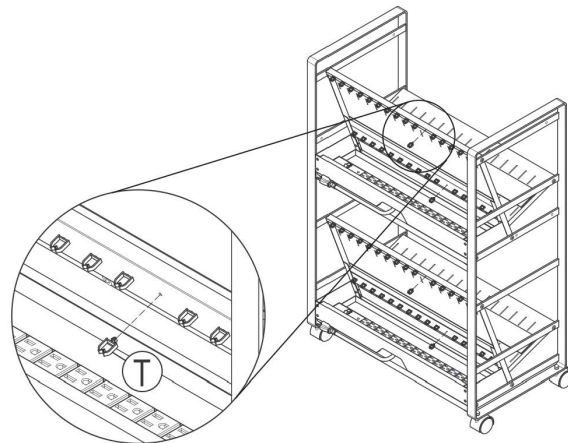


Note: Press power strip into bracket to secure

8



9



10

